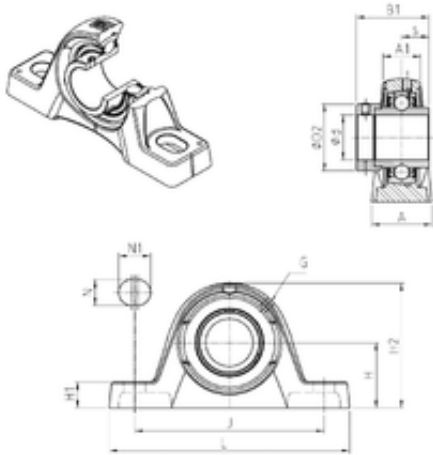




BEARING PRECISION AXLE CORP.



SNR EXPLE205 Bearing units

Bearing No. EXPLE205

Bore Diameter	25 mm
d	25 mm
s	17,4 mm
A	36,5 mm
A1	24,5 mm
B1	44,3 mm
D2	38,1 mm
H	33,3 mm
H1	12,8 mm
H2	67,8 mm
J	104,2 mm
L	139 mm
N	11 mm
N1	17 mm
Thread (G)	M6x1
Weight	0,8 Kg
Basic dynamic load rating (C)	14 kN

EXPLE205 Bearing 2D drawings and 3D CAD models