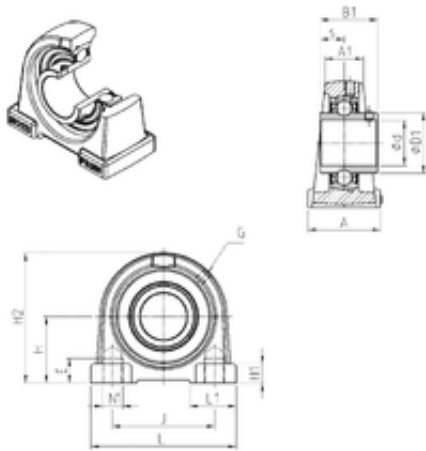




# BEARING PRECISION AXLE CORP.



## SNR UCPAE212 Bearing units

Bearing No. UCPAE212

Bore Diameter	60 mm
d	60 mm
s	25,4 mm
A	60 mm
A1	42 mm
B1	65,1 mm
D1	74,9 mm
E	20 mm
H	69,9 mm
H1	16 mm
H2	140 mm
J	118 mm
L	150 mm
L1	32 mm
Thread (G)	R1/8"
Thread (N1)	M16
Weight	4 Kg
Basic dynamic load rating (C)	52,5 kN

UCPAE212 Bearing 2D drawings and 3D CAD models