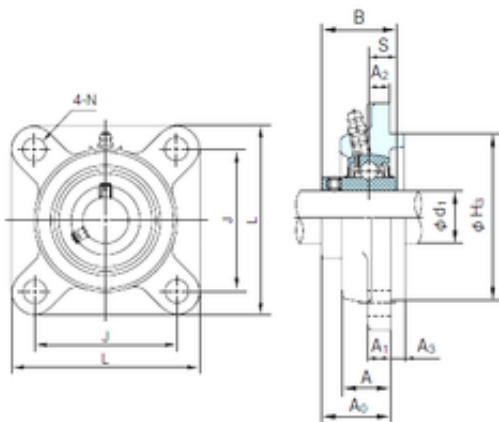




# BEARING PRECISION AXLE CORP.

## NACHI UCFS316 Bearing units

Bearing No. UCFS316



UCFS316 Bearing 2D drawings and 3D CAD models

Bore Diameter	80 mm
d1	80 mm
H3	210 mm
A0	70 mm
A	48 mm
A1	27 mm
B	86 mm
J	196 mm
L	250 mm
N	31 mm
S	34 mm
Bolt (G)	M27
A2	18 mm
A3	20 mm