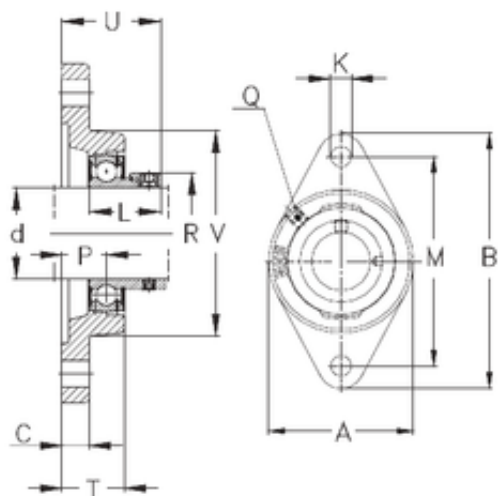




BEARING PRECISION AXLE CORP.

NKE PCJTY12 Bearing units

Bearing No. PCJTY12



PCJTY12 Bearing 2D drawings and 3D CAD models

Bore Diameter	12 mm
d	12 mm
P	17 mm
V	57 mm
U	33 mm
K	11,5 mm
A	57 mm
B	99 mm
C	9,5 mm
L	22 mm
M	76,5 mm
T	25 mm
Thread (G)	M6