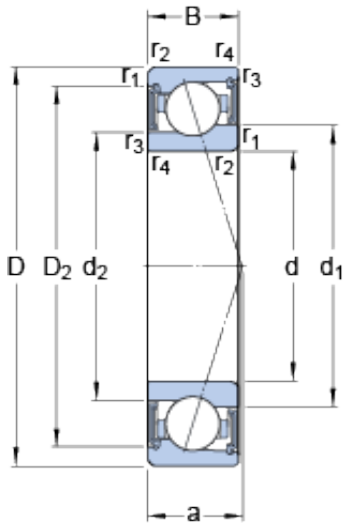




BEARING PRECISION AXLE CORP.



S71922 CE/P4A Bearing 2D drawings and 3D CAD models

110 mm x 150 mm x 20 mm SKF S71922
CE/P4A Angular contact ball bearings

Bearing No. S71922 CE/P4A

Size	150x110x20 mm
Bore Diameter	150 mm
Outer Diameter	110 mm
Width	20 mm
d	110 mm
D	150 mm
B	20 mm
d ₁	122.4 mm
d ₂	119 mm
D ₂	140.9 mm
r _{1,2} - min.	1.1 mm
r _{3,4} - min.	0.6 mm
a	28.7 mm
d _a - min.	116 mm
d _a - max.	121.8 mm
d _b - min.	113.2 mm
d _b - max.	118.4 mm
D _a - max.	144 mm
D _b - max.	146.8 mm
r _a - max.	1 mm
r _b - max.	0.6 mm
Basic dynamic load rating - C	39.7 kN
Basic static load rating - C ₀	34.5 kN
Fatigue load limit - P _u	1.2 kN



BEARING PRECISION AXLE CORP.

Limiting speed for grease lubrication	12000 r/min
Ball - D_w	12.7 mm
Ball - z	26
Calculation factor - f_0	8.6
Preload class A - G_A	220 N
Preload class B - G_B	650 N
Preload class C - G_C	1300 N
Calculation factor - f	1.2
Calculation factor - f	1
Calculation factor - f_{2A}	1
Calculation factor - f_{2B}	1.04
Calculation factor - f_{2C}	1.08
Calculation factor - f_{HC}	1
Preload class A	80 N/micron
Preload class B	126 N/micron
Preload class C	174 N/micron
d_1	122.4 mm
d_2	119 mm
D_2	140.9 mm
$r_{1,2}$ min.	1.1 mm
$r_{3,4}$ min.	0.6 mm
d_a min.	116 mm
d_a max.	121.8 mm
d_b min.	113.2 mm
d_b max.	118.4 mm
D_a max.	144 mm
D_b max.	146.8 mm
r_a max.	1 mm
r_b max.	0.6 mm
Basic dynamic load rating C	39.7 kN



BEARING PRECISION AXLE CORP.

Basic static load rating C_0	34.5 kN
Fatigue load limit P_u	1.25 kN
Attainable speed for grease lubrication	12000 r/min
Ball diameter D_w	12.7 mm
Number of balls z	26
Preload class A G_A	220 N
Static axial stiffness, preload class A	80 N/ μ m
Preload class B G_B	650 N
Static axial stiffness, preload class B	126 N/ μ m
Preload class C G_C	1300 N
Static axial stiffness, preload class C	174 N/ μ m
Calculation factor f	1.2
Calculation factor f_1	1
Calculation factor f_{2A}	1
Calculation factor f_{2B}	1.04
Calculation factor f_{2C}	1.08
Calculation factor f_{HC}	1
Calculation factor f_0	8.6
Mass bearing	0.84 kg