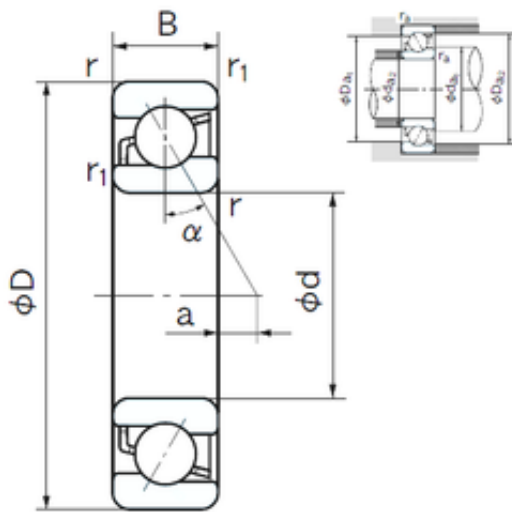




BEARING PRECISION AXLE CORP.



15 mm x 42 mm x 13 mm NACHI 7302 Angular contact ball bearings

Bearing No. 7302

7302 Bearing 2D drawings and 3D CAD models

Size	15x42x13 mm
Bore Diameter	15 mm
Outer Diameter	42 mm
Width	13 mm
d	15 mm
D	42 mm
B	13 mm
C	13 mm
Angle (°)	30 °
a	1.7 mm
r min.	1 mm
r1 min.	0.6 mm
da min.	21 mm
Da max.	36 mm
ra max.	1 mm
Weight	0.085 Kg
Basic dynamic load rating (C)	13,6 kN
Basic static load rating (C0)	7,1 kN
(Grease) Lubrication Speed	16000 r/min
Configuration	Single Row
Enclosure	Open
Bore Type	Cylindrical Bore
Bore Size	15 mm
Outside Diameter	42 mm
Width	13 mm



BEARING PRECISION AXLE CORP.

Fillet Radius/Chamfer	1 mm
r1	0.6 mm
Dynamic Load Rating	13,600 N
Static Load Rating	7,100 N
Limiting Speed - Grease	16,000 rpm
Limiting Speed - Oil	21,000 rpm
da1 (min)	21 mm
da2 (min)	18 mm
Da1 (max)	36 mm
Da2 (max)	38.4 mm
ra (max)	1 mm
ra1 (max)	0.6 mm