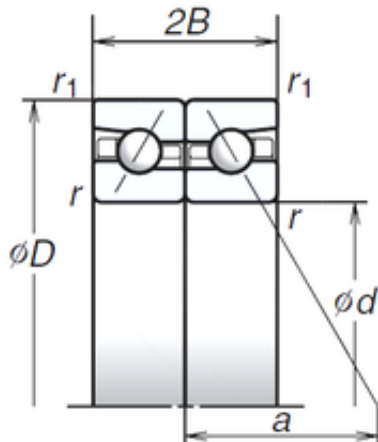




## BEARING PRECISION AXLE CORP.



60 mm x 95 mm x 16,5 mm NSK 60BAR10H  
Angular contact ball bearings

Bearing No. 60BAR10H

Size	60x95x16.5 mm
Bore Diameter	60 mm
Outer Diameter	95 mm
Width	16,5 mm
d	60 mm
D	95 mm
B	16,5 mm
C	16,5 mm
Angle ( ° )	30 °
a	30,4 mm
r min.	1,1 mm
r1 min.	0,6 mm
2B	33 mm
Weight	0,397 Kg
Basic dynamic load rating (C)	18,9 kN
Basic static load rating (C0)	38 kN
(Grease) Lubrication Speed	11 000 r/min
(Oil) Lubrication Speed	13 600 r/min

60BAR10H Bearing 2D drawings and 3D CAD models